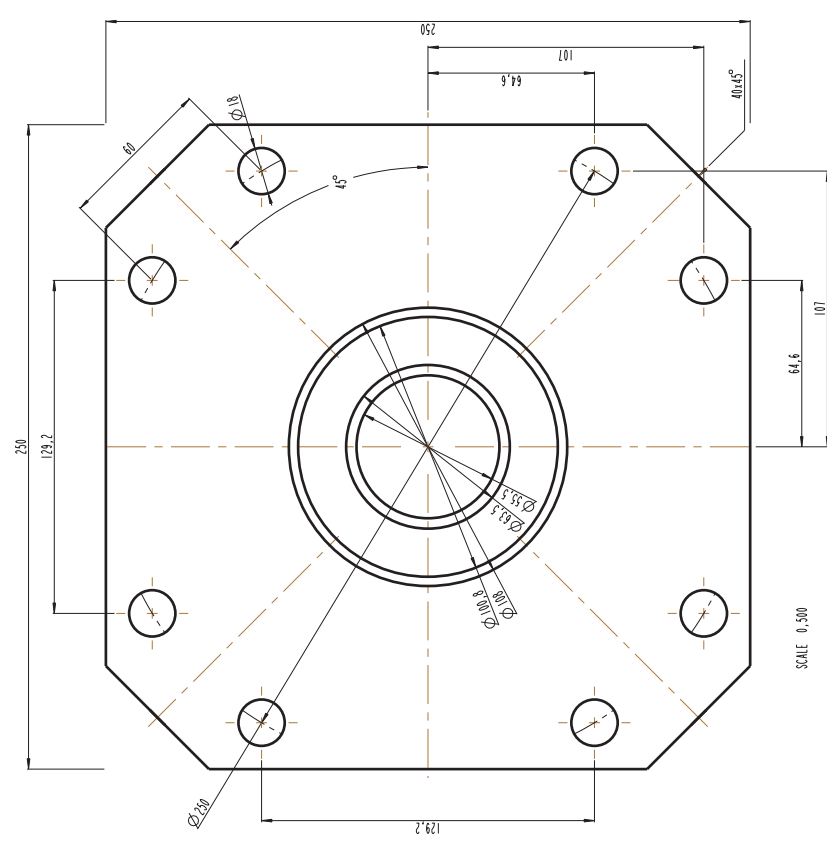
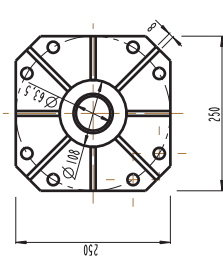
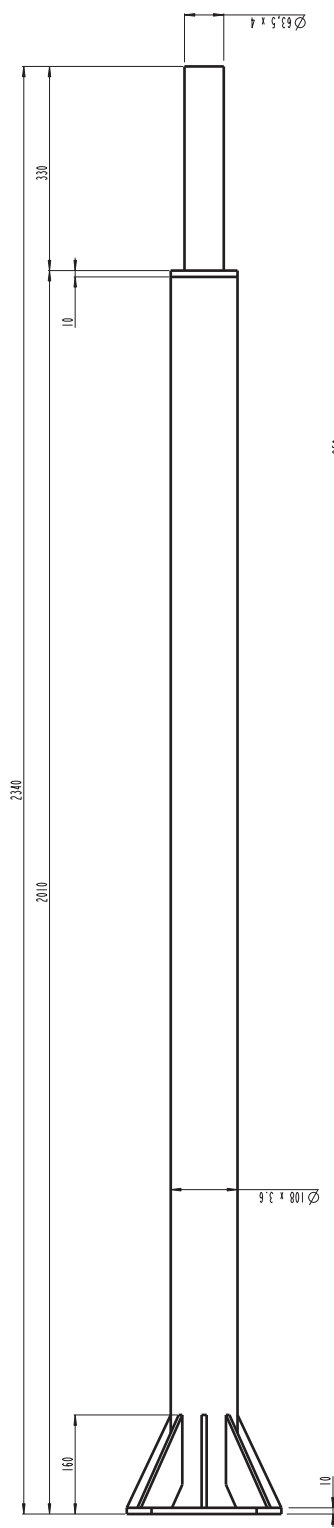


Main pole of solar tracker





SCALE 0.300



SCALE 0.070